

SS 2PCS BALL VALVE

BSPT THREADED WITH ISO MOUNTING PAD

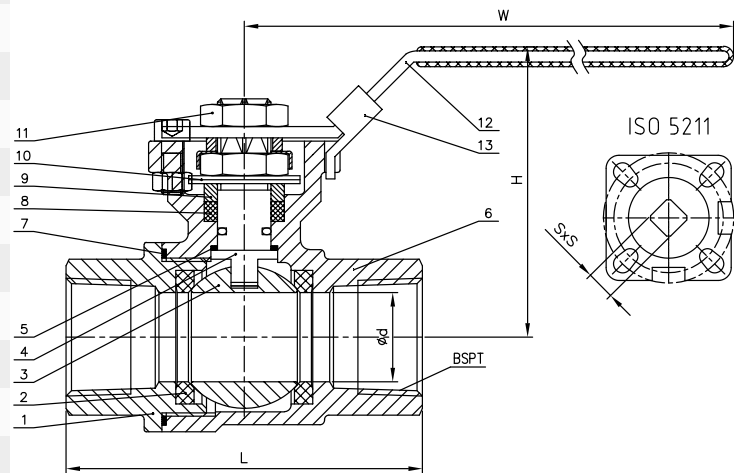
Technical Specifications

Pressure Rate	1000 PSI (69Bar)
Size Range	DN8-DN100
Ends Connection	BSPT ISO 7-1
Temperature Range	-20°C ~ 180°C
Application	Water, Oil & Gas



Component List

NO	PART NAME	MATERIAL
1	Body	WCB / CF8 / CF8M
2	Seat	PTFE
3	Ball	SS 304 / SS 316
4	Stem	SS 304 / SS 316
5	Thrust Gasket	PTFE
6	Bonnet	WCB / CF8 / CF8M
7	Gasket	PTFE
8	Packing	PTFE
9	Gland	SS201 / SS 304
10	Spring Washer	SS201 / SS 304
11	Gland Nut	SS201 / SS 304
12	Handle	SS 201 + PVC
13	Lock	SS 201



Dimensions

DN	8	10	15	20	25	32	40	50	65	80	100
BSPT	1/4"	3/8"	1/2"	3/4"	1"	1-1/4"	1-1/2"	2"	2-1/2"	3"	4"
d	8	10	15	20	25	32	38	49	65	80	100
L	61	61	61	71	81	97	105	120	145	168	204
H	65	65	65	70	85	90	110	115	145	155	170
W	125	125	125	125	155	155	185	185	260	260	300
ISO 5211	F03/F04	F03/F04	F03/F04	F03/F04	F04/F05	F04/F05	F05/F07	F05/F07	F07/F10	F07/F10	F07/F10
SxS	9	9	9	9	11	11	14	14	17	17	19
N.m	3.5	3.5	3.5	6	6	7.5	18	28	32	38	80
Kg	0.415	0.418	0.4585	0.586	0.96	1.34	1.7875	2.32	4.9575	6.94	10.9825