

Design / Dizayn: ASME B16.34

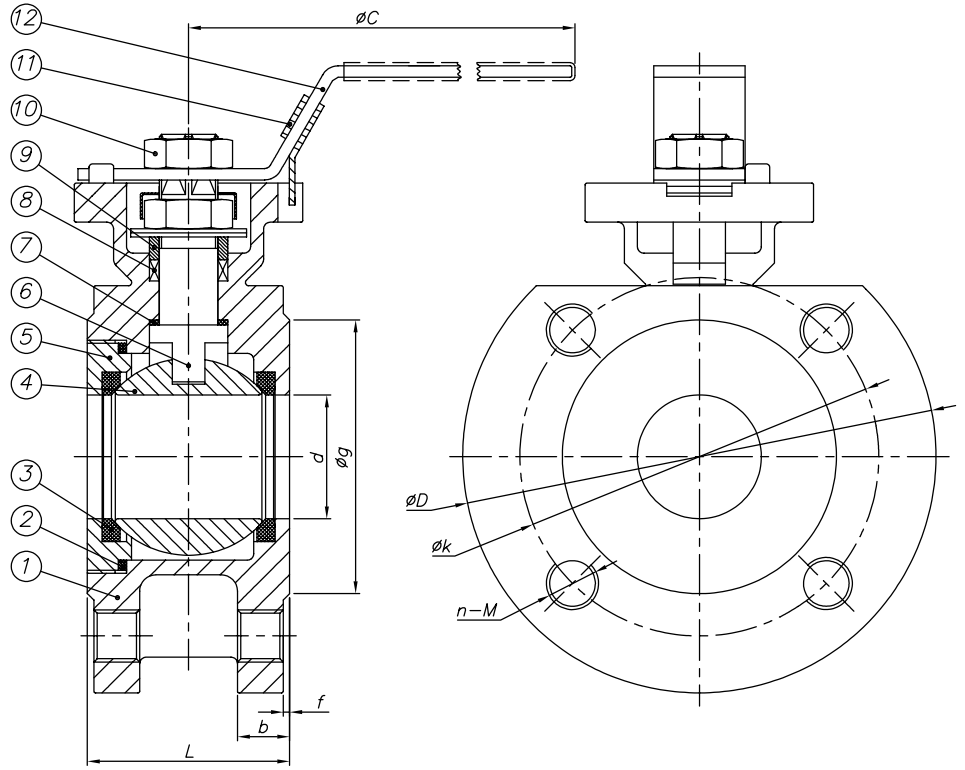
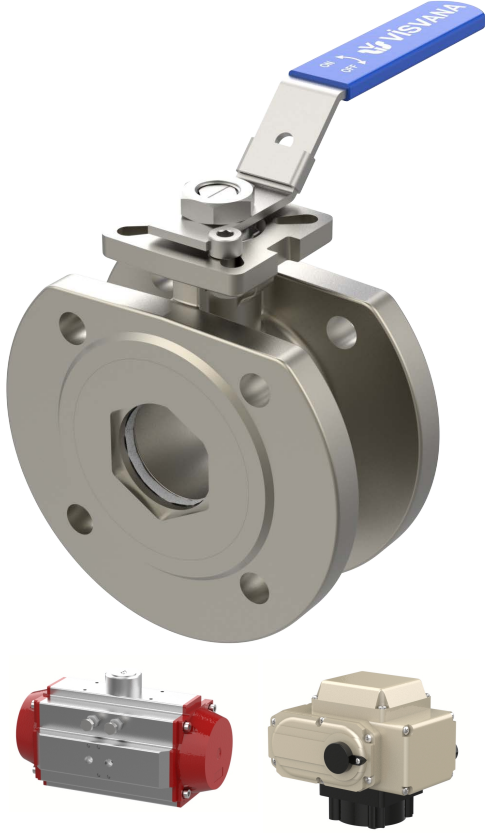
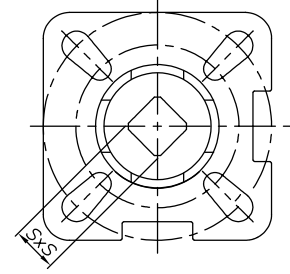
Face to Face / L Boyu : VisVana Design

Pressure/ Basınç: PN 16

Size Range / Ölçü Aralığı: DN15 - DN100

Flange End / Flanş: EN 1092-1

Tests / Testler : EN 12266



NO	PART NAME	PARÇA ADI	MATERIAL / MALZEME	NO	PART NAME	PARÇA ADI	MATERIAL / MALZEME
1	Body	Gövde	WCB / SS 304 / SS 316	7	Thrust Gasket	Mil Contası	PTFE
2	Gasket	Conta	PTFE	8	Packing	Salmastra	PTFE
3	Seat	Sit	PTFE	9	Gland	Baskı	SS 304
4	Ball	Küre	SS 304 / SS 316	10	Nut	Somun	SS 304
5	Bonnet	Kapak	WCB / SS 304 / SS 316	11	Lock	Kilit	SS 201
6	Stem	Mil	SS 304 / SS 316	12	Lever	Kol	SS 201 + PVC

Nominal Diameter / Anma Çapı		Valve Dimensions / Vana Boyutları				Flange Dimensions / Flanş Boyutları EN 1092 - 1 PN 10 / PN16						Top Flange / Üst Flanş	Torque / Tork	Weight / Ağırlık	
DN	Size	L	d	H	C	ØD	ØK	Øg	b	f	n - M	ISO 5211	SxS	N.m	kg
15	1/2"	42	15	76	110	95	65	45	14	2	4-M12	F03/F04	9	5	1.4
20	3/4"	44	20	81	110	105	75	58	16	2	4-M12	F03/F04	9	8	1.9
25	1"	50	25	90	160	115	85	68	16	2	4-M12	F04/F05	11	10	2.4
32	1-1/4"	60	30	102	160	140	100	78	16	2	4-M16	F04/F05	11	14	3.6
40	1-1/2"	65	36	115	185	150	110	88	16	3	4-M16	F05/F07	14	18	4.4
50	2"	80	46	122	185	165	125	102	18	3	4-M16	F05/F07	14	25	5.5
65	2-1/2"	110	57	168	305	185	145	122	18	3	4-M16	F07/F10	19	48	8.6
80	3"	120	73	178	305	200	160	138	20	3	8-M16	F07/F10	19	75	11
100	4"	150	90	198	305	220	180	158	20	3	8-M16	F07/F10	19	110	14