

Design / Dizayn: BS 5041, DIN 86211, Bolted Bonnet

Face to Face / L Boyu : VisVana Design

Pressure/ Basınç: PN 16

Size Range / Ölçü Aralığı: DN40 - DN65

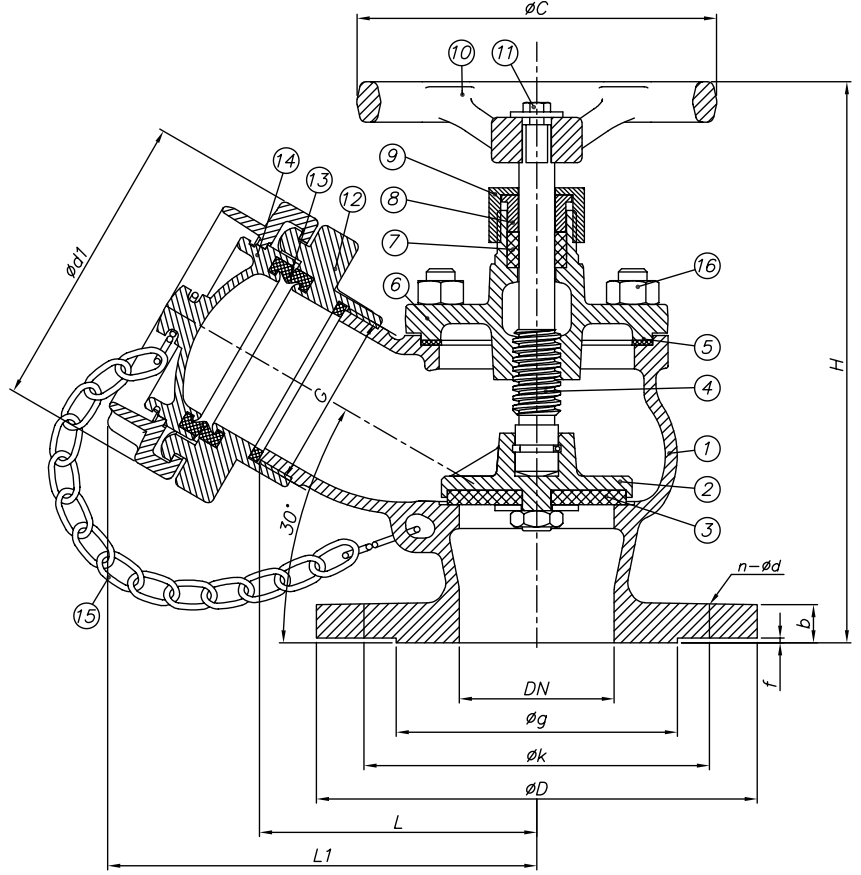
Flange End / Flanş: EN 1092-3/B

Flange Options / Flanş Opsiyonu: ASME, JIS, VG

Coupling Options / Kaplin Opsiyonu:

Storz, BS 336, Nor, Nakajima

Tests / Testler : EN 12266



NO	PART NAME	PARÇA ADI	MATERIAL / MALZEME	NO	PART NAME	PARÇA ADI	MATERIAL / MALZEME
1	Body	Gövde	Bronze Rg5 / CuSn10 / GS-C25	9	Gland Nut	Baskı Somunu	Brass Ms58
2	Disc	Klape	Bronze Rg5 / CuSn10 / GS-C25	10	Handwheel	Volan	GG 25 / Bronze Rg5
3	Seal	Conta	NBR / EPDM	11	Bolt	Civata	A2 (SS304)
4	Stem	Mil	Cu Zn39Pb3 / SS 420 / SS316	12	Fixed Coupling	Sabit Kaplin	Bronze Rg5 / Aluminum
5	Gasket	Conta	NBR / EPDM / Klingerite	13	Seal	Conta	NBR / EPDM
6	Bonnet	Kapak	Bronze Rg5 / CuSn10 / GS-C25	14	Blind Coupling	Tapa Kaplin	Bronze Rg5 / Aluminum
7	Packing	Salmastra	Graphite / PTFE	15	Chain / Rope	Zincir / Tel	SS
8	Gland	Baskı	Brass Ms58 / SS420	16	Bolt / Nut	Civata / Somun	A2 (SS304)

Nominal Diameter / Anma Çapı		Valve Dimensions / Vana Boyutları DIN 86211							Flange Dimensions / Flanş Boyutları EN 1092 - 3 / B PN 10 / PN16						Weight / Ağırlık
DN	Size	L	L1	H (Close)	H (Open)	G	d1	C	ØD	ØK	Øg	b	f	n - Ød	kg
40	1-1/2"	150	220	160	170	1-1/2"	98	140	150	110	84	14	2	4-18	6.8
50	2"	165	235	165	180	2"	98	140	165	125	99	16	2	4-18	8.2
65	2-1/2"	200	265	185	205	2-1/2"	126	150	185	145	118	16	2	4-18	12.2